

TYPE B VENT COVER

DESCRIPTION:

Type B Vent Covers are used for proper venting and waterproofing of existing Type B gas vent pipes (pipe) that exit through a roof deck.

Type B Vent Covers are comprised of a metal base, metal top and custom-fabricated tapered Duro-Last® Stack Flashing.

Type B Vent Covers must only be used in conjunction with the following Type B gas vent manufacturers:

- American Metal Products
- Hart & Cooley®, Inc.
- Selkirk® Corp.
- DuraVent®, Inc.

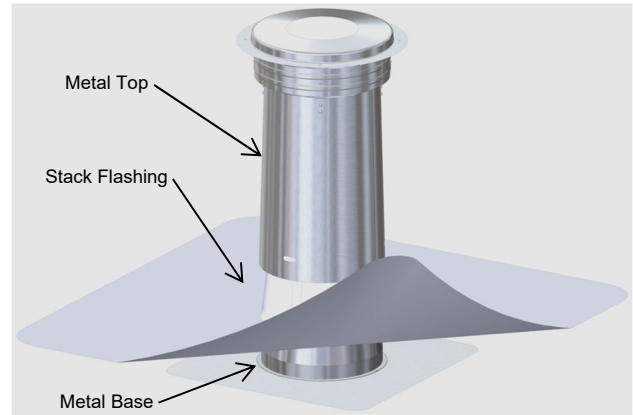
ORDERING:

Type B Vent Covers can be ordered individually. (Size indicates diameter of pipe to be flashed.)

- 6-inch metal base and top
 - White Stack Flashing (Item #1231-06W)
 - Tan Stack Flashing (Item #1231-06B)
 - Gray Stack Flashing (Item #1231-06G)
 - Dark Gray Stack Flashing (Item #1231-06GDX)
- 8-inch metal base and top
 - White Stack Flashing (Item #1231-08W)
 - Tan Stack Flashing (Item #1231-08B)
 - Gray Stack Flashing (Item #1231-08G)
 - Dark Gray Stack Flashing (Item #1231-08GDX)
- Other colors are available upon request. Lead times may vary.

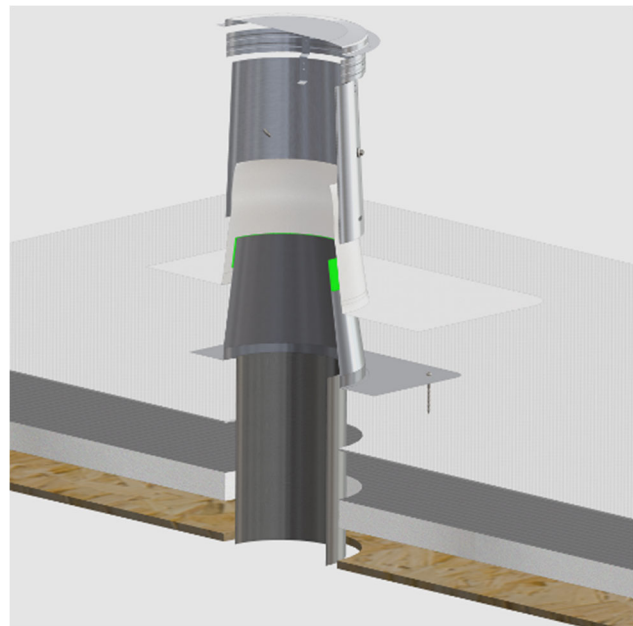
STORAGE AND HANDLING:

- Always store in a dry location protected from the elements.



TYPE B VENT COVER

Comprised of: METAL BASE, METAL TOP and STACK FLASHING



CROSS SECTION OF ENTIRE ASSEMBLY

PRECAUTIONS:

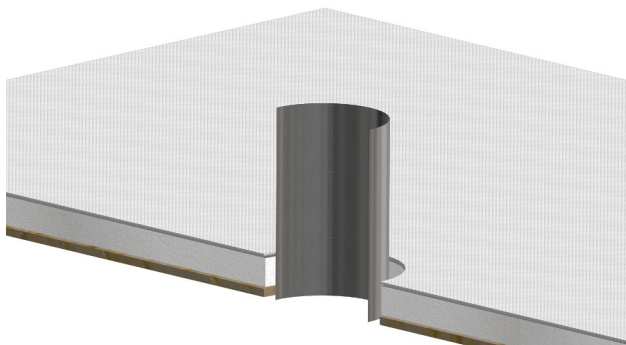
- Wear proper personal protective equipment, such as gloves and eye protection.

INSTALLATION:

1. Requirements

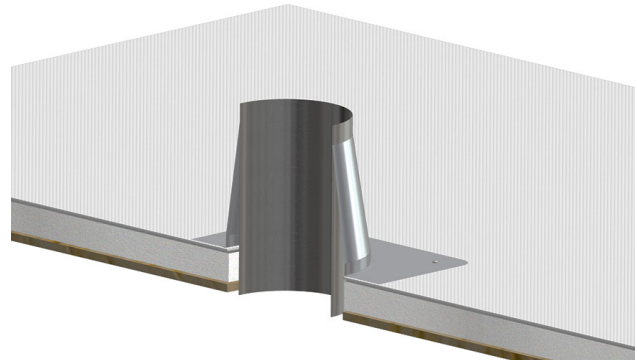
- Clearance from single-wall metal pipes, combustible materials, parapet walls, other air intake sources and other obstructions must be in accordance with the Type B vent manufacturer's requirements and the applicable International Fuel Gas Code.
- Must be five feet or higher than the highest connected appliance.
- Not to be used with power-exhausted appliances.
- Not to be used within 10 feet of make-up air unit intake hoods.
- Not to be used on roof slopes exceeding seven inches per foot.
- Pipe must have a minimum height of 12 inches from the top of the deck membrane.

2. Prior to installation of the Type B Vent Cover components, ensure that the deck membrane has been installed up to the base of the pipe.



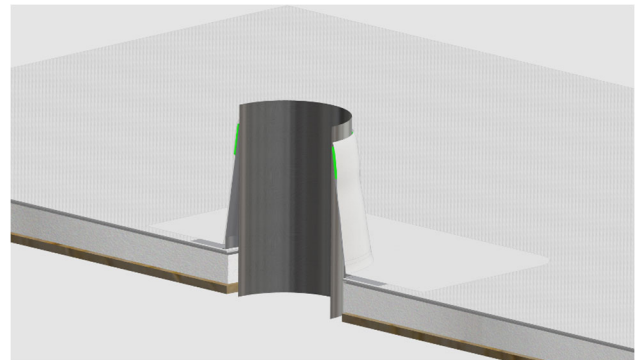
ROOFING SYSTEM INSTALLED AROUND EXISTING PIPE

- Set the metal base over the pipe and deck membrane. Ensure that the pipe extends through the top of the metal base.
- Fasten the metal base to the roof deck with four approved Duro-Last fasteners within one inch of each corner. The fasteners must penetrate the roof deck by a minimum of one inch.



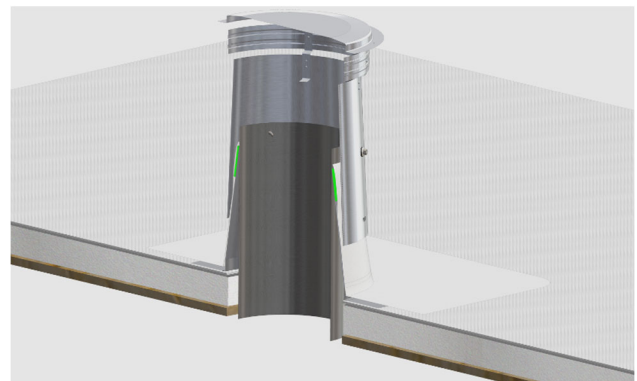
METAL BASE FASTENED TO ROOF DECK AROUND EXISTING PIPE

- Set the Stack Flashing over the metal base. Using a hot-air gun, weld the Stack Flashing to the deck membrane with a minimum 1-1/2 inch wide field weld.
- Apply a bead of approved Duro-Last caulk between the top of the Stack Flashing and the metal base. The caulk line should be approximately 7-1/2 inches above the roof deck and within one inch of the top of the Stack Flashing.



STACK FLASHING AND CAULK INSTALLED OVER METAL BASE

- Set the metal top over the metal base and Stack Flashing. Secure with a minimum of two grommeted self-drilling stainless steel sheet metal screws directly through, or above, the caulk line. The screws must penetrate the metal base by a minimum of 1/2 inch.



METAL TOP INSTALLED