

BALLAST MAT

DESCRIPTION:

Duro-Last® Ballast Mat is a 9 oz. per sq. yard material that provides a lightweight and cost-effective protective layer between ballast stones and paver-style ballast. Ballast Mat is made from a non-woven, 100% polyester material that is designed to resist damage.

The ballast mat may be used under:

- Concrete pavers
- Pea gravel
- Washed river stone

The ballast mat is available in 12 x 100 ft. (3.6 x 30.5 m) rolls.

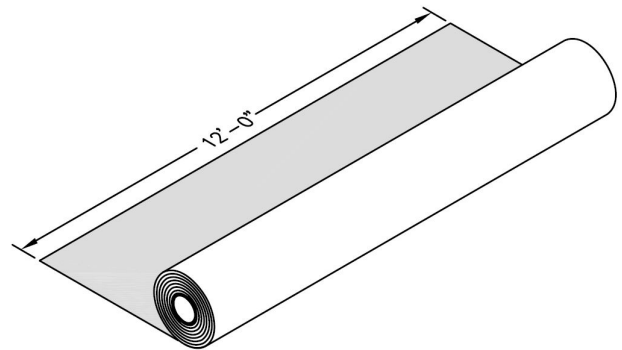
MATERIAL SAFETY DATA SHEET:

1. Identity: RM60 T

INSTALLATION:

1. The ballast mat must be installed on a clean and smooth surface, with the smooth side up.
2. Individual pieces must be overlapped a minimum of 2 inches (5 cm).
3. After completing all membrane and flashing seams, position the ballast protection mat loosely over the membrane.
4. Do not cover any field seams prior to inspection by a Duro-Last Technical Representative.

Be sure that the ballast mat extends to, but not over, drain bases or scupper openings so as not to restrict water flow.



GENERAL INFORMATION	
Packaged	Roll
Length	100 ft. (30.5 m)
Width	12 ft. (3.6 m)
Coverage with 2-inch (5 cm) overlap	1,183 ft ² (110 m ²)
Roll weight	75 lb. (34 kg)
Weight per area	0.06 lb./ft. ² (0.29 kg/m ²)
Thickness	0.132 inch (3.3 mm)