

### Application

- PVC membrane attachment to steel and wood roof decks



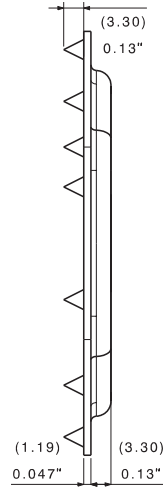
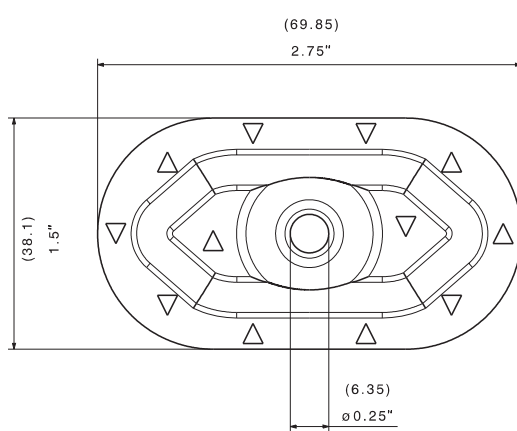
### Features and Benefits

- Engineered barb design provides maximum wind up lift rating
- 18 ga. Galvalume® steel

### Product Selection

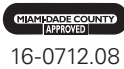
Material No.	Item	Description	Carton Wt. (lbs.)	Carton Qty.
1274909	1-1/2 x 2-3/4 Oval Barbed Membrane Plate	PLT-O2-3/4-12B-B	12	500

### Specifications and CAD Drawing: PLT-O2-3/4-12B-RevIR



Length: 2.750" (70mm)  
 Width: 1.500" (38mm)  
 Thickness: .047" (1.19mm)  
 Finish: AZ50 Galvalume®

### Approvals



State of Florida: FL20311

16-0712.08

### Installation and Application Considerations

Use in PVC membrane applications approved by the roofing system manufacturer. Use with:

- #14 Dekfast
- #15 Dekfast
- #12 Purlin

Metric values are approximate conversions.

Galvalume® is a registered trademark of BIEC International, Inc.

The details stated are results of tests and/or calculations and therefore are non-binding and do not represent guaranties or warranted characteristics for not specified applications. All calculations therefore have to be checked and approved by the responsible planner ahead of execution. The user is responsible to assure compliance with all applicable laws and regulations.