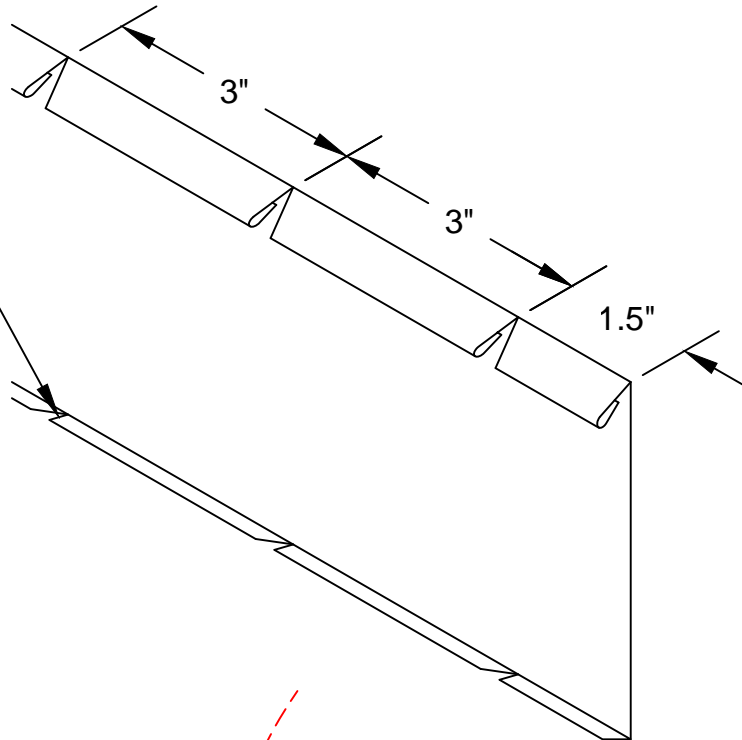


Factory-cut notches allow cover to flex around radius



See Figure A

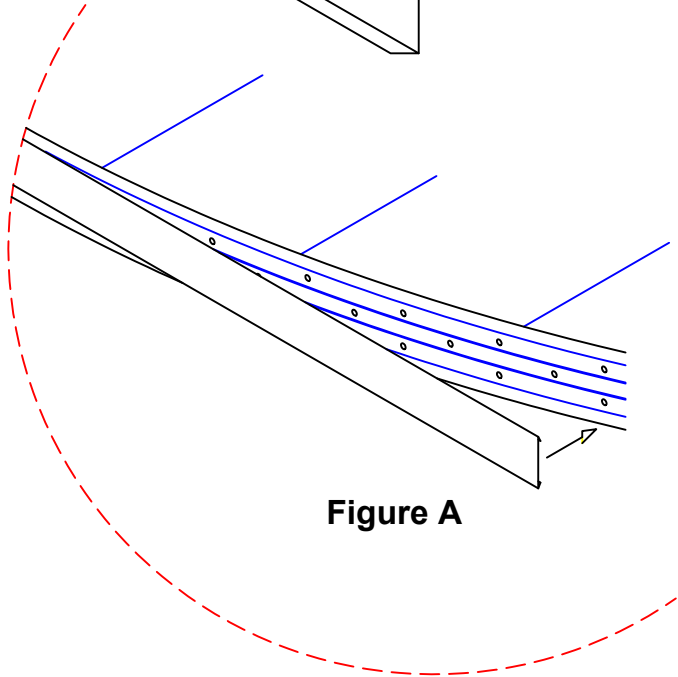
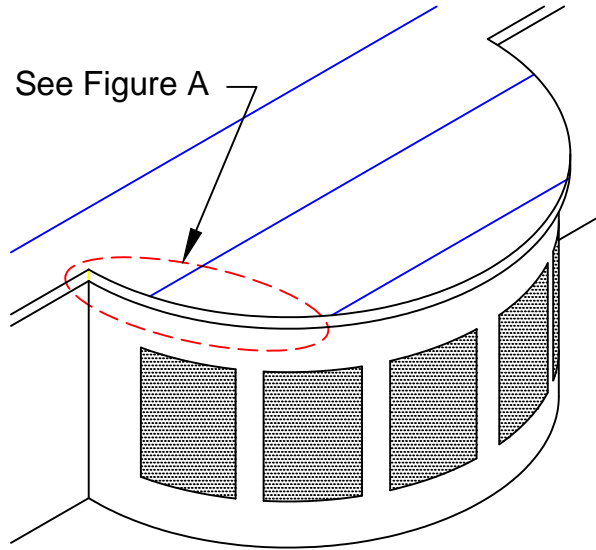


Figure A

- Note 1: This detail may also be used on parapet walls.
- Note 2: Refer to Detail Drawings 3040 and 3510 for complete installation instructions.
- Note 3: This detail limited to 4-Inch Metal Flex Fascia Cover only.
- Note 4: May be installed on both inside and outside radiuses.

REVISED: 04/08/2017	METAL EDGE DETAIL FOR MECHANICALLY FASTENED SYSTEMS
PREVIOUS: 01/01/2009	4-INCH METAL FLEX FASCIA COVER
SCALE: NONE	NEW CONSTRUCTION OR RE-ROOF